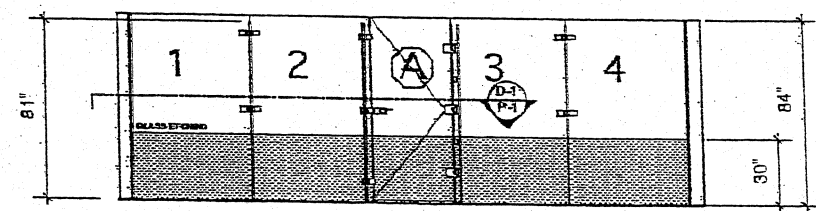
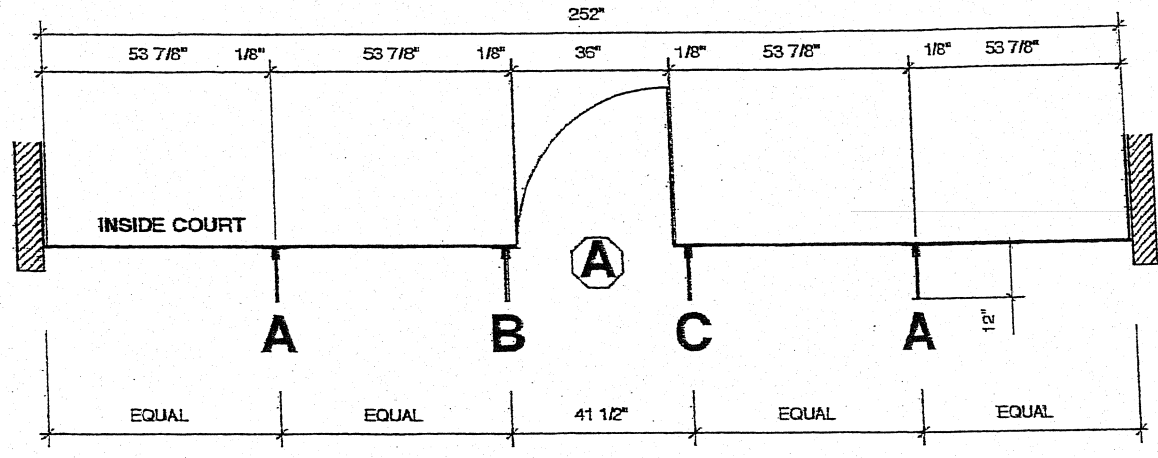


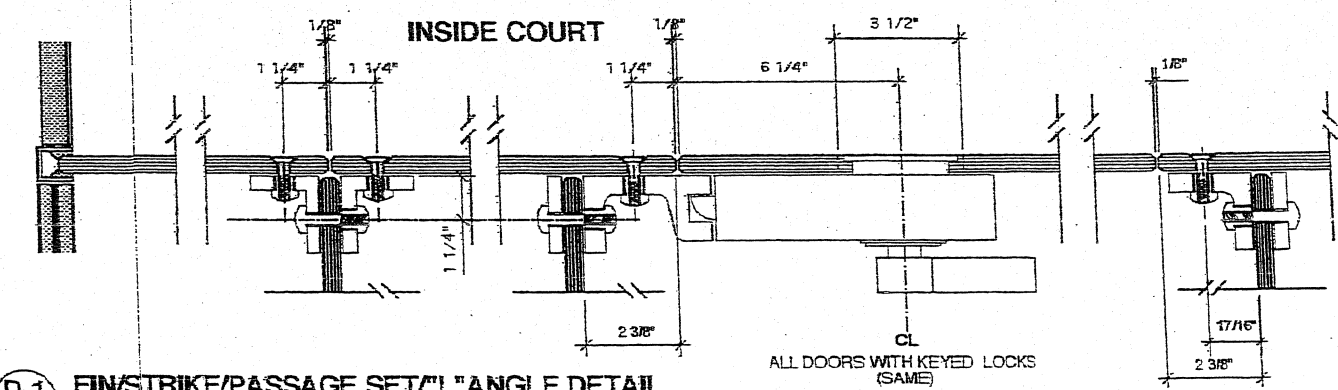
PLAN LAYOUT



E-1 GLASS BACKWALL ELEVATION
(View From Outside Of Court)

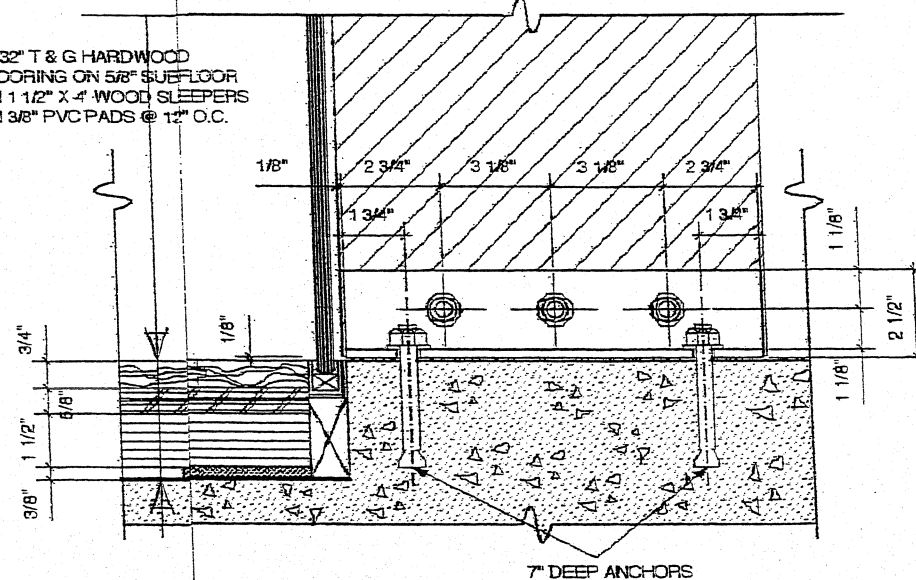


P PLAN: BACKWALL FIN LAYOUT
P-1 Scale: 3/8" = 1'-0"

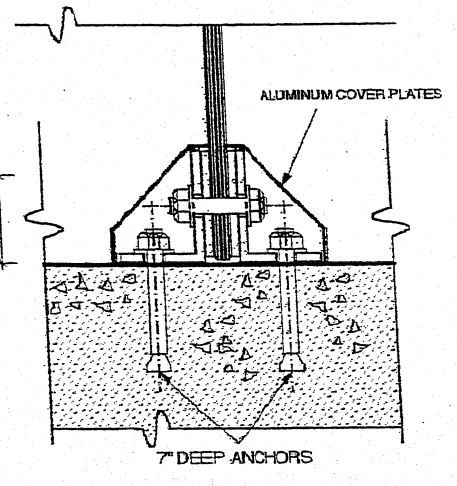


D-1 FIN/STRIKE/PASSAGE SET/L" ANGLE DETAIL
P-1

25/32" T & G HARDWOOD FLOORING ON 5/8" SUBFLOOR ON 1 1/2" X 4" WOOD SLEEPERS ON 3/8" PVC PADS @ 12" O.C.



D-2 FLOOR/FIN DETAIL
P-1 (Recessed Floor Slab Condition)



D-3 FLOOR/FIN COVER DETAIL
P-1

21'-0" x 7'-0" INTL. SQUASH COURT
(4 Panel Glass Backwall)
PROJECT: McGill University Athletic Complex

MODEL NO.: 2107
DATE: 03/17/98

P-1

